

**FB1146 – KFB1146**  
**Traversino – Fairing upper bracket – Support gps pour carenage – Barra –**  
**Halterung zur montage am windschild – Suporte**  
**HONDA NC750X (2016)**

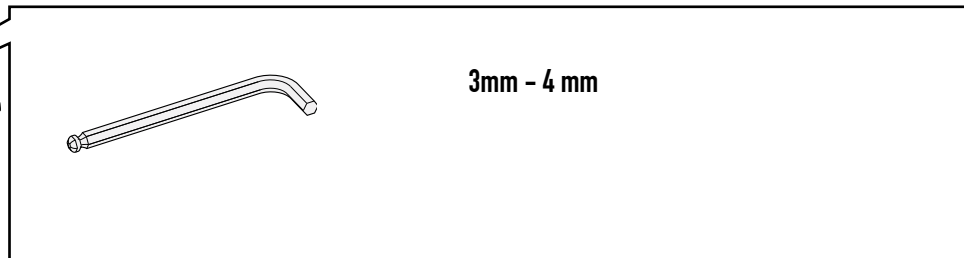
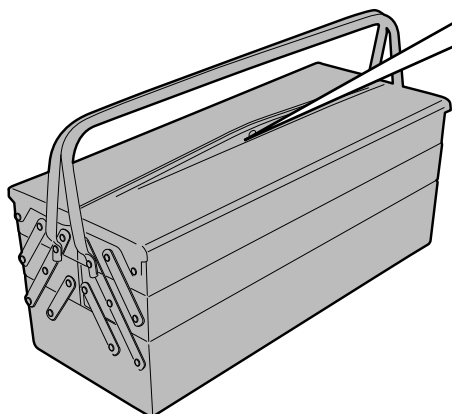
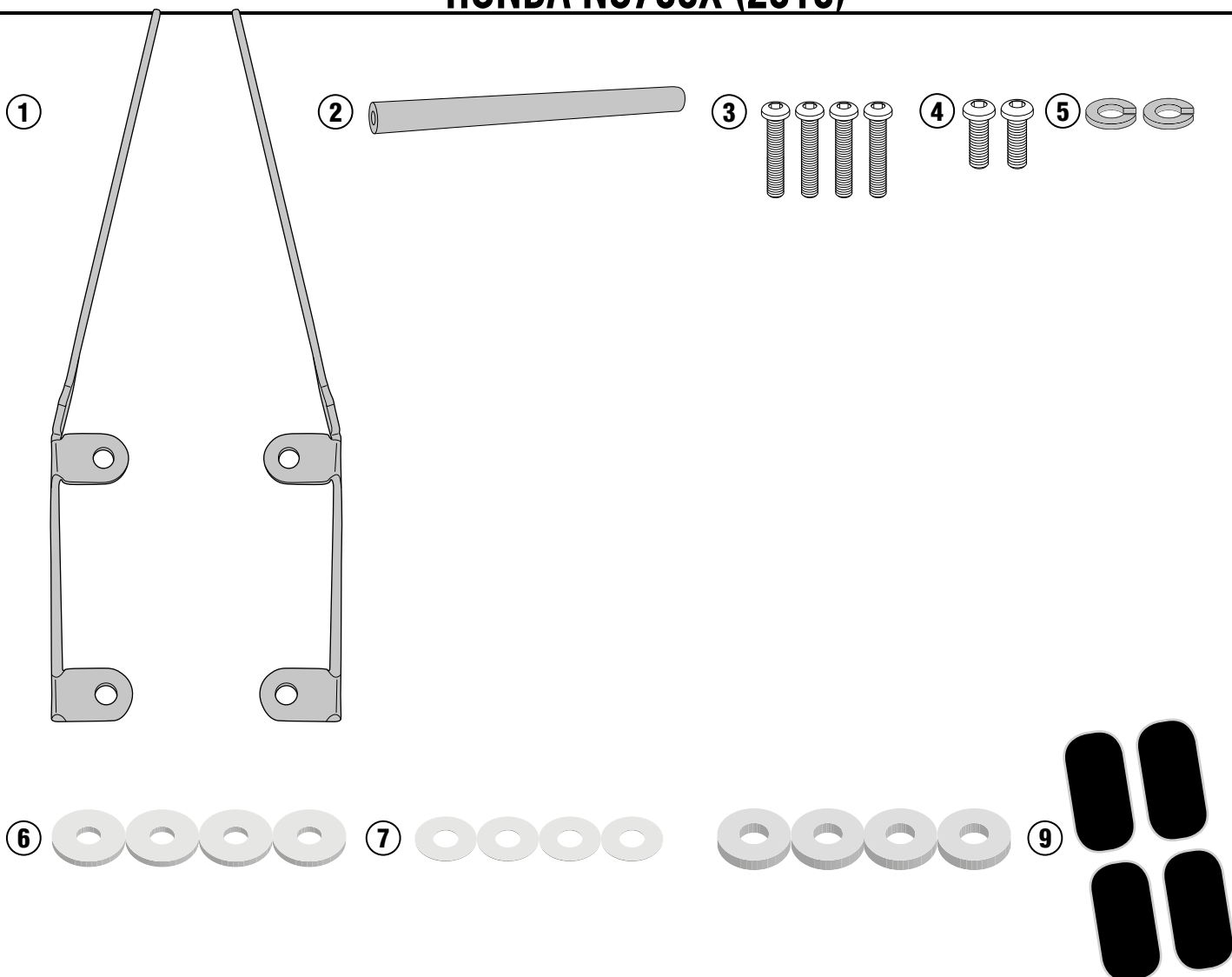
N°	Descrizione	Caratteristiche	Codice	Quantità
1	Supporto – Support – Support Halterung – Soporte – Apoio	-	GL3378DXV GL3378SXV	2 (Dx-Sx)
2	Supporto – Support – Support Halterung – Soporte – Apoio	-	GNB1824V	1
3	Vite – Screw Vis – Schraube Tornillo – Parafuso	TBEIFX M5x25	525TBEIFX	4
4	Vite – Screw Vis – Schraube Tornillo – Parafuso	TBEIFF M6x16	616TBEIFF	2
5	Rondella spaccata – Split washer Scheibe – Rondelle fendue Arandela seccionada – Arruela quebrada	Ø6	Z1063	2
6	Rondella – Washer – Rondelle Scheibe – Arandela – Arruela	-	ORONG	4
7	Rondella – Washer – Rondelle Scheibe – Arandela – Arruela	-	Z1979	4
8	Distanziale – Spacer Entretoise – Distanzstueck – Distanciador	Ø16x3 Foro 6,5	C16L3F6,5T	4
9	MOUSSE	-	Z298	4

# FB1146 - KFB1146

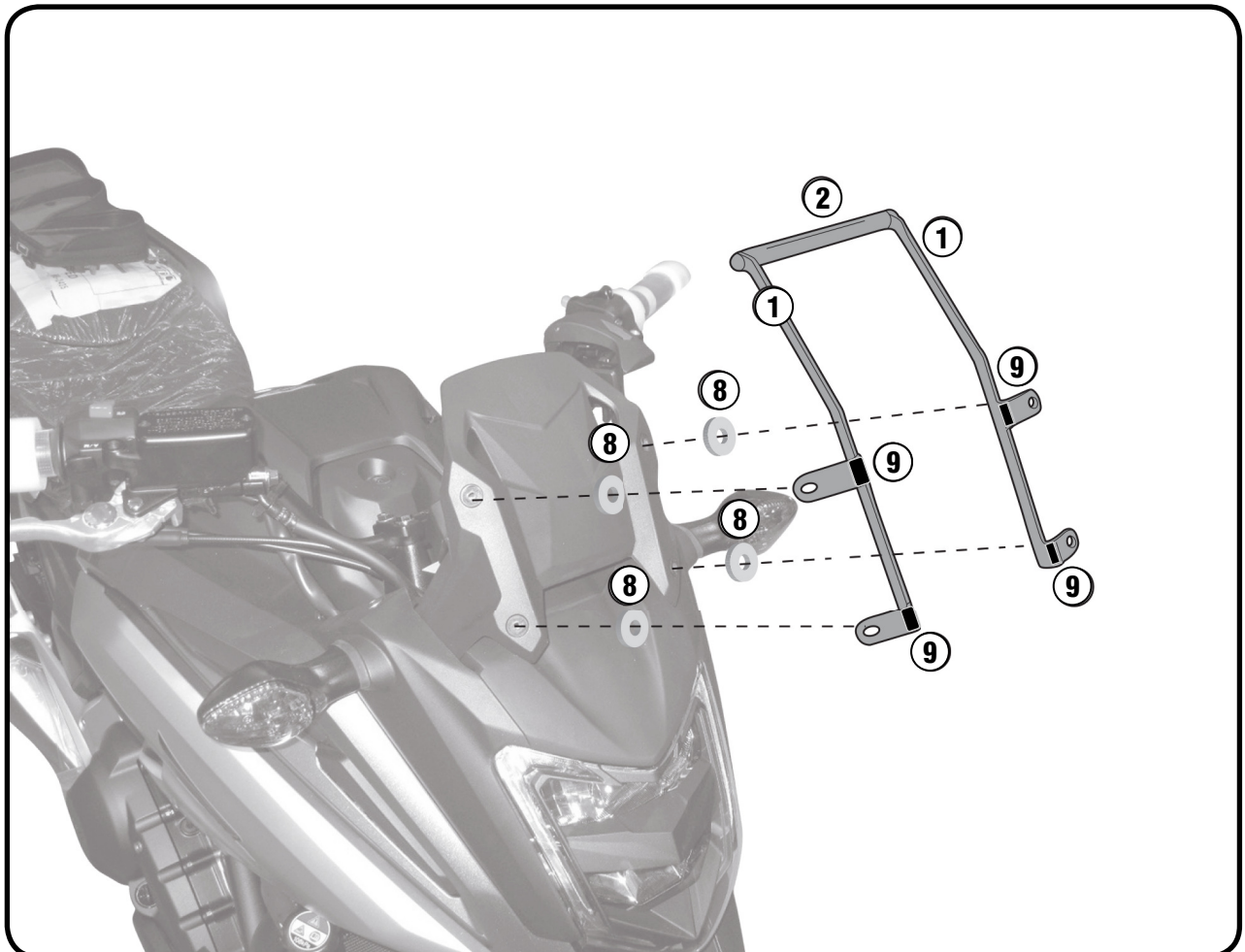
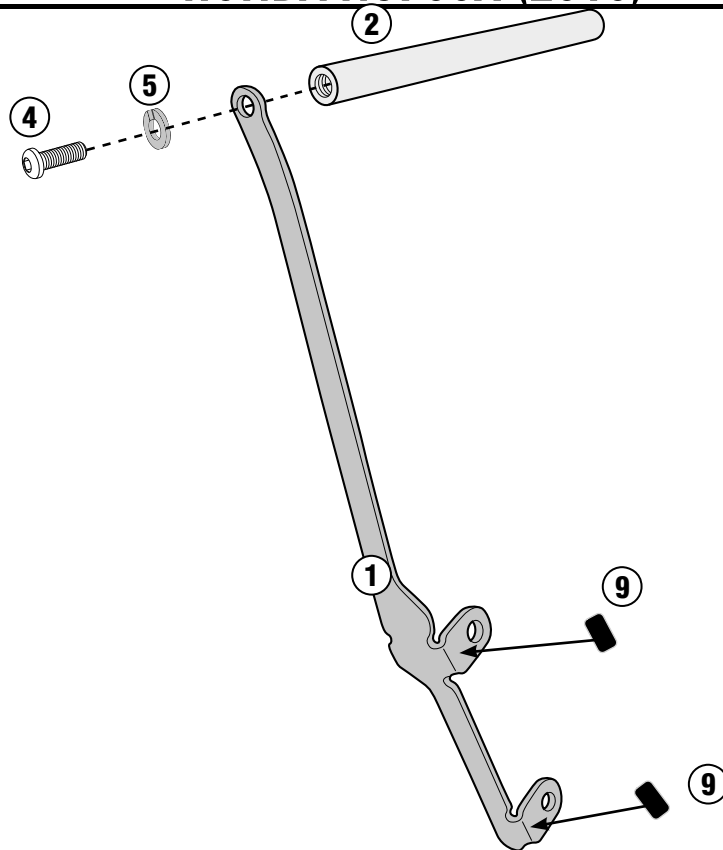
Traversino - Fairing upper bracket - Support gps pour carenage - Barra -

Halterung zur montage am windschild - Suporte

## HONDA NC750X (2016)



**FB1146 - KFB1146**  
Traversino - Fairing upper bracket - Support gps pour carenage - Barra -  
Halterung zur montage am windschild - Suporte  
**HONDA NC750X (2016)**



**FB1146 - KFB1146**  
Traversino - Fairing upper bracket - Support gps pour carenage - Barra -  
Halierung zur montage am windschild - Suporte  
**HONDA NC750X (2016)**

